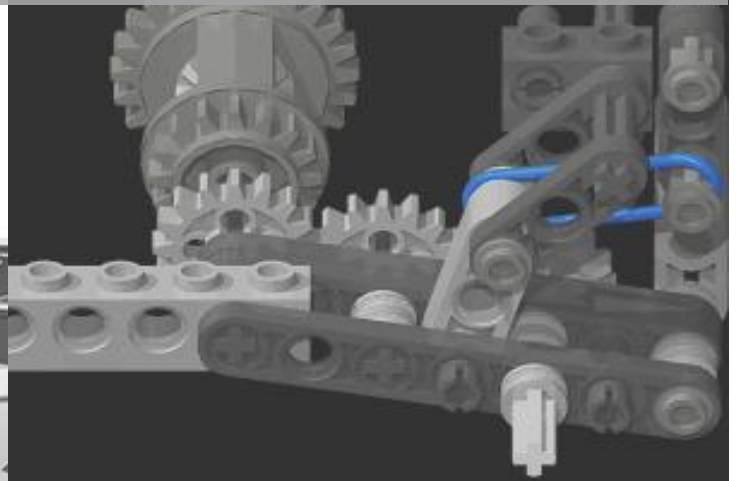




RAINBOW

PROFILE



COMPLEX ENGINEERING
Executed to perfection

“ NOTHING STAYS VERY LONG WITHOUT A SOLID FOUNDATION

THAT’S PARTICULARLY TRUE IN THE FIELD OF DESIGNING ”



Education For All . .

About Us :

Thank you for the opportunity and privilege to introduce the services offered by Rainbow Solutions. Rainbow Solutions prides itself as one of the upcoming leaders in the CAD Training & Services provider. We provide the latest technology and equipment allowing us to give our customers the best service possible on-site and through other media. We are Providing Training & Service For:

- **Dassault Systems** - CATIA V5 R19 With PLM
- **PTC** - Pro-Engineering Wildfire 4 / 5
- **Siemens** - Solid Edge Velocity Series V19
- **Autodesk** - AutoCAD -LT / 3DS Max / MAYA
- **Bentley** - Staad.Pro 2007
- **Microsoft** - Microsoft Project

Today's economic trends have changed forcing many companies and individuals to downsize or reorganize their assets in order to meet their bottom line goals. We provide flexible end-to-end solutions that assist companies and individuals to meet their objectives by giving the best possible service at affordable fees. Our Services helps in:

- **CAD Designing Services** - Drafting / 3D Modeling / Mould Designing
- **Recruitment Solutions** - Flexible Staffing or Permanent Staffing
- **Training Services** - We provided extensive & quality Industry Specific Training In-house / Onsite.

We will be glad to provide you services & add into your esteem client list .

Thank you,

Rainbow Solutions.

Arvind kankariya

About Services :

Training Services



The institution is known for providing quality education in following streams. We have courses from individual software to PG Diploma .

- Industrial CAD (AUTOCAD LT ,CATIA,PRO-E,SOLID EDGE)
- CIVIL CAD (AUTOCAD,STAAD.PRO,3DS MAX)
- 3D ANIMATION (MAYA,3DS MAX)
- PROJECT PLANNING & MANAGEMENT (CONCEPT,MSP)

Rainbow Solutions Advantages

- Industry Specific & updated extensive courseware
- Genuine Licensee Software Training Certificate
- Our Trainers has been trained by respective software companies.
- Placement Assistance.

Placement Services



“SkillHunt” is dedicated to focus on clients’ staffing requirements that demand technical professionals with high-end skills in engineering domain.

The benefit of using our skillhunt includes

- Faster and Reliable search process
- Highly qualified and right-fit candidates
- Good screening of candidates using our know ledged Business and Technical staffs
- Well-proven recruitment processes
- Significant cost and time reduction in the recruitment processes

Services offered by Skillhunt

- On demand Flexible staffing
- Flexi to Permanent staffing

Industry verticals

- Engineering software services
- Manufacturing
- Civil / Construction
- Architecture

Design Services



After BPO it's EDO

(Engineering Design Outsourcing)

Design Solutions For

- 2D Drafting
- 3D Conversions
- Product Development
- Plastic Mould Design
- Tool Design
- Jigs & Fixture
- Structure design & Analysis
- Mould Flow Analysis
- 3D Walkthrough
- Concept Design



Education For All . . .

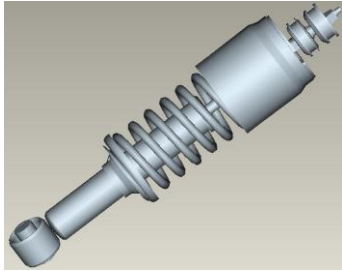
About Client:

Clients are the most important part of any business. Clients are those people who make your business successful. We are having most of clients from below Brand companies for training & services in CAD/CAM & Multimedia field.

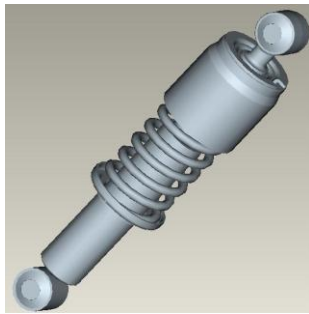
- Unique Circle Engg. Pvt. Ltd
- Adroit Techna
- Padmini Enterprises
- Cotmac electronics pvt. Ltd
- Rich Cam Industries Ltd.
- ASM Exim
- Jayshree Polymer Pvt. Ltd.
- K.K. Nag Pvt. Ltd.
- Pro-Arc welding & Cutting
- Vipul – S Plastocrafts
- Mabal Technology.
- Metachem Manufacturing
- Sayaji Hotels Ltd.
- Sachin forge Pvt. Ltd

- Omega Promotors
- Aarco Engineering
- Integrated Network
- Shree Eengeering
- Base Coating Pvt. Ltd.
- S.P.R. Engg.
- Yash Developer
- Aura Laserfb Pvt. Ltd.
- India Infoline
- Smart India Biz.com
- Symantec Software India
- Mahalaxmi Engineers.
- Tata Motors
- Mahindra & Mahindra

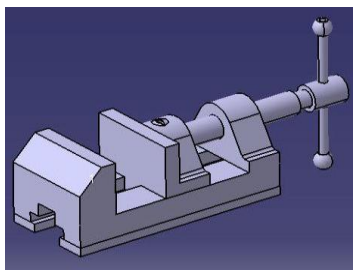
Work Gallery : CAD Product



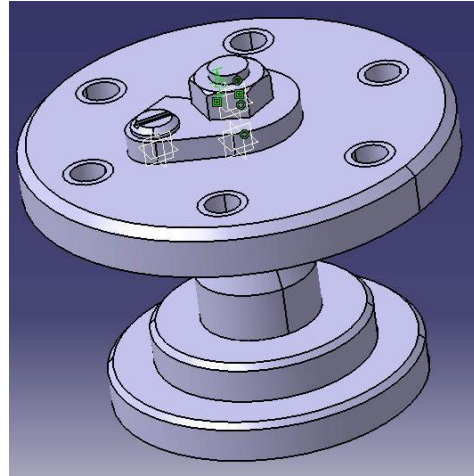
Front Damper



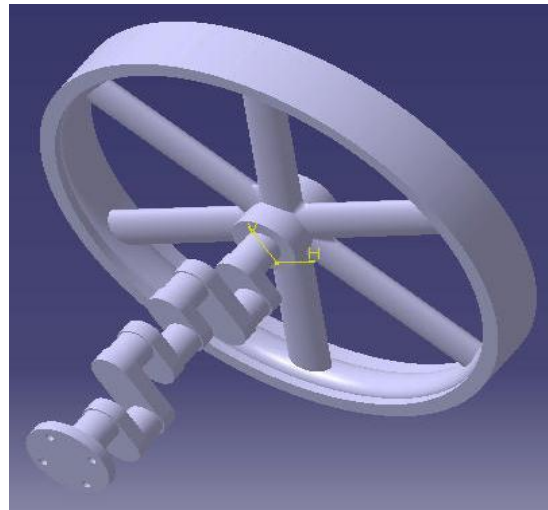
Cabin Damper



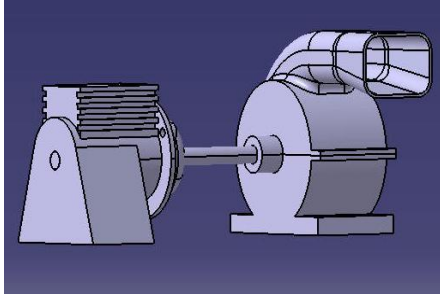
Vice



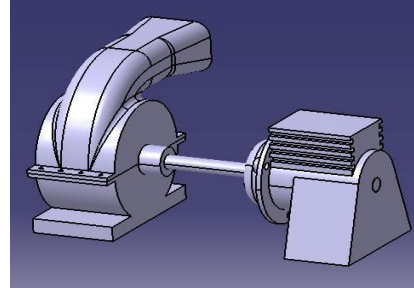
Jigs & Fixture



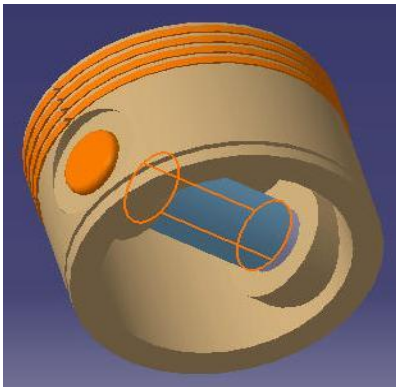
Fly Wheel



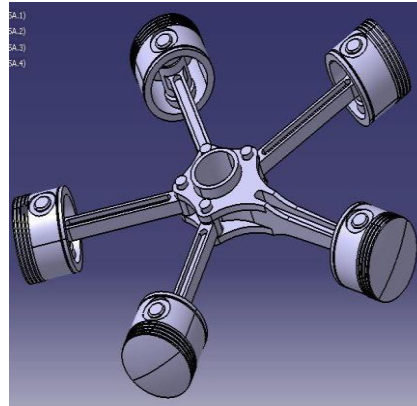
Pump Back



Pump Front



Piston



Assembly



Power Cable Cap



Auto Components

Civil Product



Bird View



Interior



Club House



Row House



Education For All . .

For more detail & any business related enquiry please contact us on following address.

Corporate Address :

Rainbow Solutions

Sandesh Bld. , Opp. Shantiban Soc.

Old Octrail Post , Chinchwad

Pune - 411033 , Maharashtra , India .

PH : +91 20 467 504 51or +91 922 5503 60

E-mail : contact@rainbowsolutions.org

Visit : <http://www.rainbowsolutions.org>

